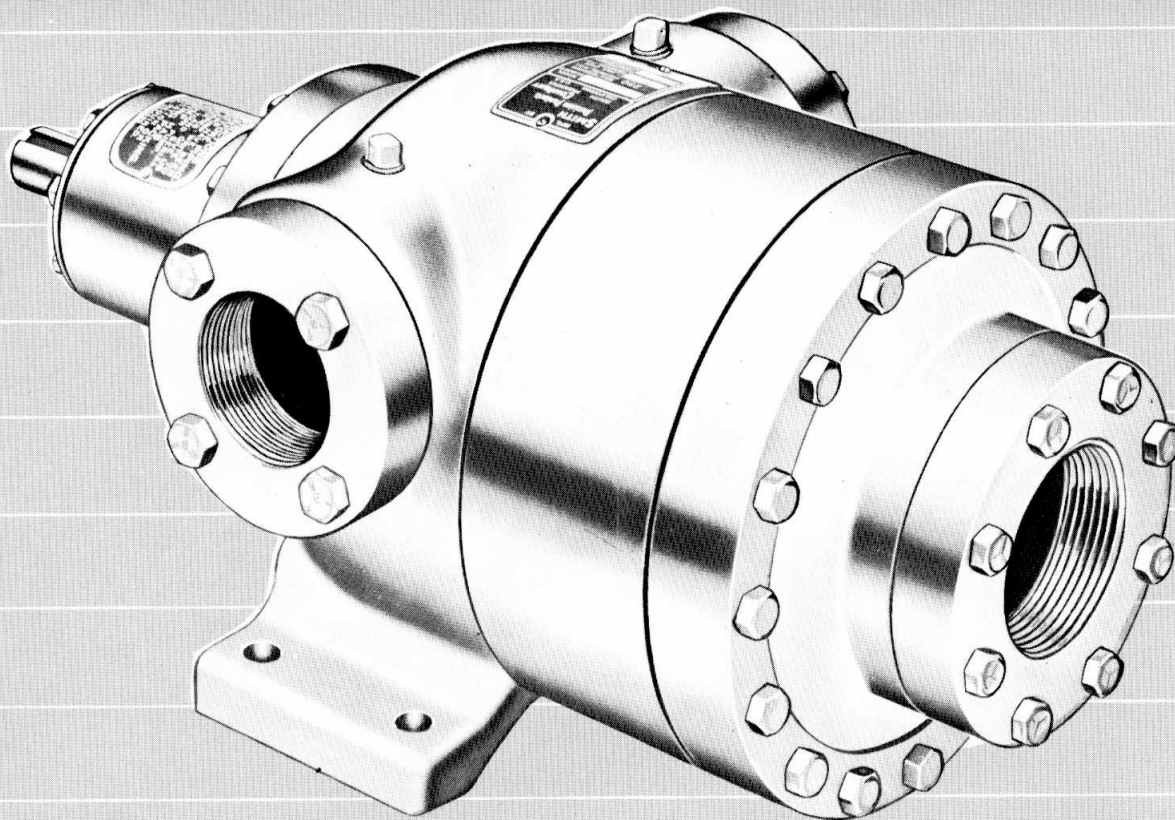


SMITH PRECISION PUMPS



DIELECTRIC COOLANTS
 BINARY REFRIGERANTS
 ALCOHOLS / KETONES
 NAPHTHA / GASOLINES
 CONDENSATES
 PROCESS LUBRICANTS
 EDIBLE OILS
 SYNTHETIC EMOLIENTS
 RESINS / POLYMERS
 SUGAR SOLUTIONS
 JET FUELS
 ACIDS

ALSO OTHER LIQUIDS
 OF SAME OR
 HIGHER VICOSITIES
 UP TO 100,000 S.S.U.

FOR SOLVENTS, OILS, AND SIMILAR LIQUIDS FROM THIN TO HIGHLY VISCOUS

CHOICE OF MODELS FOR:

Truck delivery • Plant operations
 High volume transfer up to 250 g.p.m.
 Refinery operations • Circulation loops
 Hydraulic applications • Process systems
 Cylinder filling

ALL MODELS HAVE THESE IMPORTANT ADVANTAGES:

- Chatter-free self-adjusting Smith mechanical seal assembly or packing gland assembly
- Non-pulsating, low shear transmission of liquid
- Leak-free operation
- Self-priming, high suction lift
- Mounting versatility (in any position)
- Self-lubricating sleeve bearings
- Balanced internal loading
- Reversible flow
- Simple design and rugged construction
- Vacuum capability of up to 25 in.-Hg
- Multiple porting

SMITH
PRECISION PRODUCTS COMPANY

1299 LAWRENCE DRIVE, NEWBURY PARK, CALIFORNIA 91320

